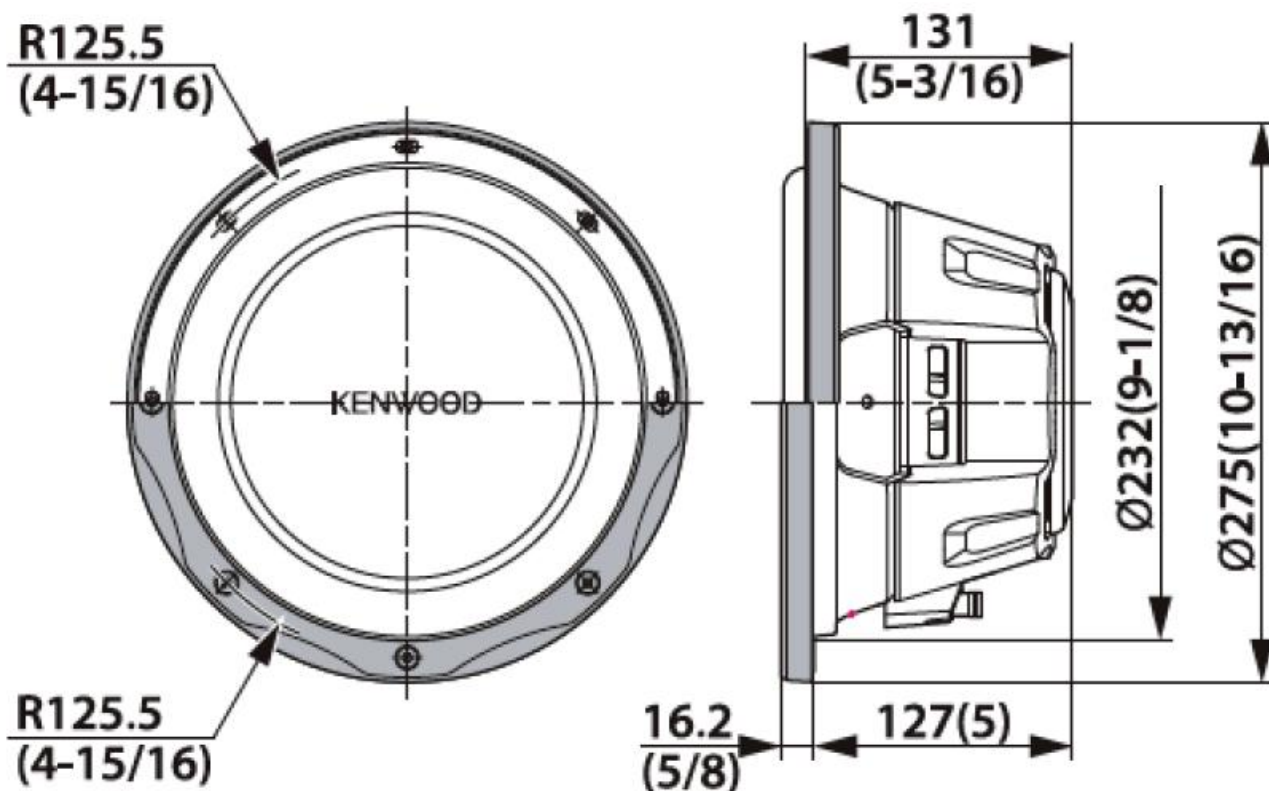


# KFC-W2513

## Specifications

- 300 Watts RMS
- Impedance..... 4  $\Omega$
- Cutout Diameter..... 9-1/8 in. (23.2 cm) Circle
- Mounting Depth..... 5 in. (12.7 cm)

## Dimensions



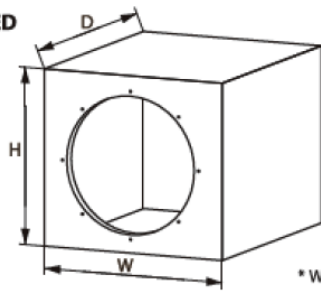
Unit:mm(inch)  
Unitè:mm(pouces)

## Technical specifications

|                                   | <b>SYMBOL</b> | <b>UNIT</b>  | <b>VALUE</b>    |
|-----------------------------------|---------------|--------------|-----------------|
| <b>Nominal Impedance</b>          | Z             | $\Omega$     | 4               |
| <b>DC Resistance</b>              | Revc          | $\Omega$     | 3.6             |
| <b>Voice Coil Inductance</b>      | Levc          | mH           | 2.35            |
| <b>Piston Area</b>                | Sd            | sq.m         | 0.035           |
| <b>Force Factor</b>               | BL            | T·m          | 11.2            |
| <b>Volume Acoustic Compliance</b> | Vas           | liter        | 42.5            |
|                                   |               | cu.ft        | 1.501           |
| <b>Moving Mass</b>                | Mms           | g            | 103.5           |
| <b>Resonance Frequency</b>        | Fs            | Hz           | 31              |
| <b>Mechanical Q Factor</b>        | Qms           |              | 8.240           |
| <b>Electrical Q Factor</b>        | Qes           |              | 0.575           |
| <b>Total Q Factor</b>             | Qts           |              | 0.540           |
| <b>Peak Excursion</b>             | Xmax          | mm           | 5.3             |
| <b>Displacement</b>               |               | cc           | 1313            |
|                                   |               | cu.ft        | 0.046           |
| <b>Mounting Depth</b>             |               | mm<br>(inch) | 127<br>(5)      |
| <b>Voice Coil Diameter</b>        |               | mm<br>(inch) | 50<br>(1-15/16) |
| <b>Weight of Magnet</b>           |               | g<br>(oz)    | 1230<br>(43.3)  |
| <b>Net Weight</b>                 |               | kg<br>(lb)   | 4.0<br>(8.8)    |
| <b>Sensitivity</b>                |               | dB/W at 1m   | 82              |
| <b>Frequency Response</b>         |               | Hz           | 39 ~ 300        |

# Recommended Enclosures

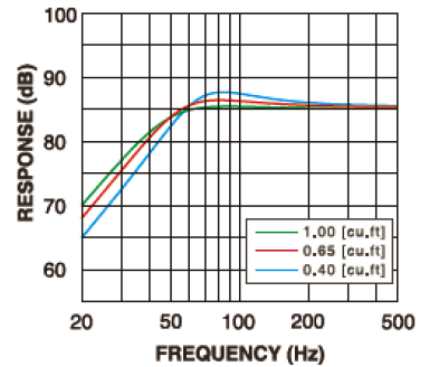
## SEALED



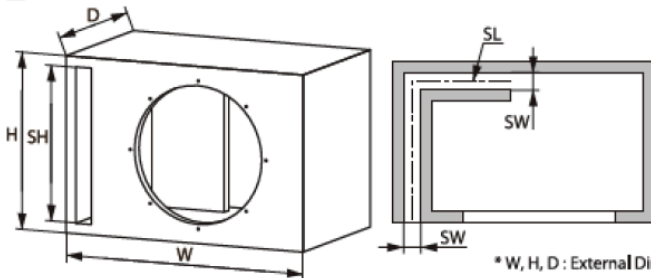
\* W, H, D : External Dimensions

| Type   | Inner Volume             | W                   | H                   | D              | Mounting Hole      | Displacement                 |
|--------|--------------------------|---------------------|---------------------|----------------|--------------------|------------------------------|
| SEALED | 0.65 cft<br>(18.4 Liter) | 375 mm<br>(14-3/4") | 324 mm<br>(12-3/4") | 229 mm<br>(9") | 235 mm<br>(9-1/4") | 0.046 cu.ft<br>(1.313 Liter) |

Use 19 mm (3/4 inch) thick Medium Density Fiberboard (MDF) or High Density Particleboard.



## PORTED



\* W, H, D : External Dimensions

| Type   | Inner Volume            | W                   | H                   | D                   | Mounting Hole      | SW                | SH              | SL              | Displacement                 |
|--------|-------------------------|---------------------|---------------------|---------------------|--------------------|-------------------|-----------------|-----------------|------------------------------|
| PORTED | 1.0 cft<br>(28.3 Liter) | 470 mm<br>(18-1/2") | 318 mm<br>(12-1/2") | 273 mm<br>(10-3/4") | 235 mm<br>(9-1/4") | 32 mm<br>(1-1/4") | 280 mm<br>(11") | 508 mm<br>(20") | 0.046 cu.ft<br>(1.313 Liter) |

Use 19 mm (3/4 inch) thick Medium Density Fiberboard (MDF) or High Density Particleboard.

